

PUNCHING AND PRESSING DUAL-FEED AUTOMATIC GROMMETS MACHINE

MODEL: HM-2000S

Feature:

- Automatic dual feeding of top and bottom pieces.
- Punch Material and Insert grommet in one cycle.
- Advanced Feeding System.
- Fast and Reliable

SPECIFICATION:

MOTOR: 1/3 HP

VOLTAGE: 220V 60HZ AC 1 Ø

THROAT DEPTH: 5"

WEIGHT: 500 LBS

PACKIN SIZE:34"X34"X66"

CURRENTLY AVAILABLE GROMMETS:

- H-1020+ H-1025: #2(3/8" ID) EYELET WITH TURN-OVER WASHER
- H-1059+H-1016: #2(15/32" ID) GROMMETS WITH SPUR WASHER



MADE IN KOREA



Hiker Enterprises Ltd.

CANADA

3375 14th Ave. Unit 3,
Markham, Ontario L3R 0H2

Tel: 905-479-5390 Fax: 905-479-0530

info@hikereyelets.com <http://www.hikereyelets.com>

U.S.A.

4521 E. Jensen St., Unit 102,
Mesa, AZ 85205

Tel: 480-924-0167 Toll-Free: 866-66-HIKER
info@hikerusa.com

HIKER ENTERPRISES LTD.

DUAL FEED AUTO GROMMETS
SETTING MACHINE

MODEL:H-2000S

PARTS LIST



HIKER ENTERPRISES LTD.

HS-2000 Twin die fully auto grommeting machine: Getting started – quick reference guide

I. Operator

The majority of machine problems are caused by human error. Therefore, it is imperative to understand the mechanics of the HS-2000 and to follow the operation procedures accordingly.

Before pressing the foot peddle, follow the steps listed below to reduce operation errors:

1. Make sure H-1025 Turn-over washer is in the left pocket (item 4-24)
2. Be sure that the bottom die is free of any debris or washers
3. Check the top pocket (Item 3-4) to make sure H-1020 eyelet is ready there

Following these steps will prolong the life of your machine.

NOTE: Always power off before performing any inspection or maintenance!

II. Maintenance Mechanics

If the machine jams, manually complete the grommeting cycle, 2 rotations, and inspect each part .

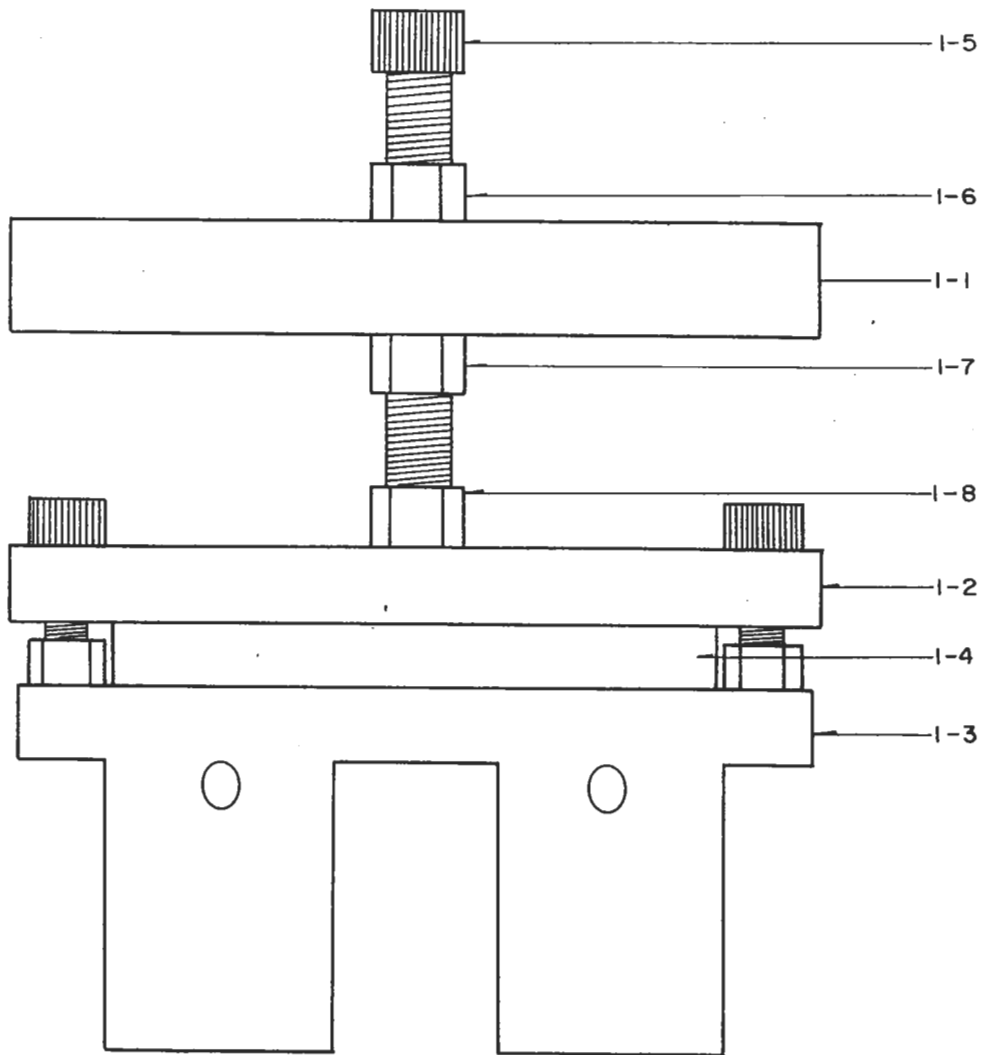
First Rotation:

Insert a 17mm wrench into the square head shaft located on the left side of body (Item #6-9). Pull out the key stopper (Item #6-7) approximately 12-16mm, then push the wrench counter-clockwise. The top die will begin to lower, causing the center pin to go through the eyelet and pass the open gate and punching a hole in the grommeting material. The top pin then reacts and stops midway. Meanwhile, the bottom setting die should receive a washer from the transportation plate.

(It is work under the table, you can not see it)

Second Rotation:

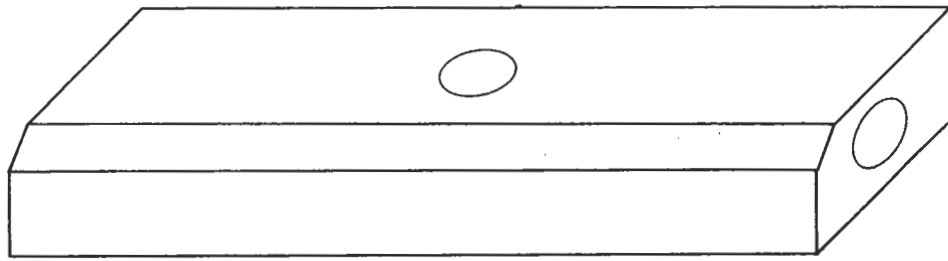
Continue to push the wrench forward, the top die will push downward along the grommet. As the bottom setting die with a washer moves to the center. The action completes as the eyelets closes with the washer. A new eyelet and washer will feed into the pockets from the tracks ready for the next grommeting cycle.



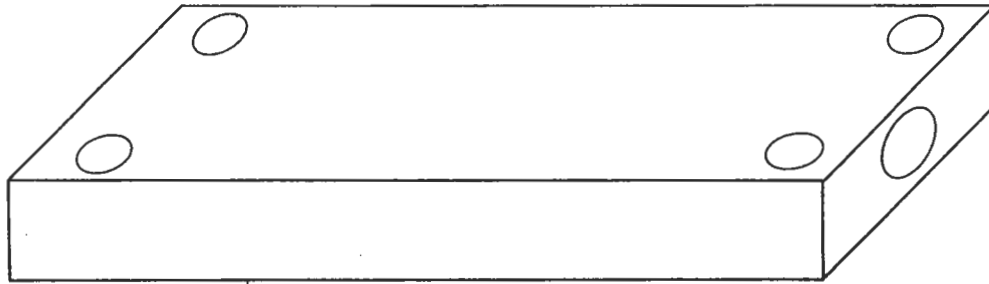
- 1-1 FIX PLATE
- 1-2 WOORETHAN PRESS PLATE
- 1-3 CRANK HOLDER
- 1-4 SHOCK ABSORB TENSIONER
- 1-5 CONTROL SCREW
- 1-6 DOWN CONTROL NUT
- 1-7 UP CONTROL NUT
- 1-8 FIX NUT

17-2000

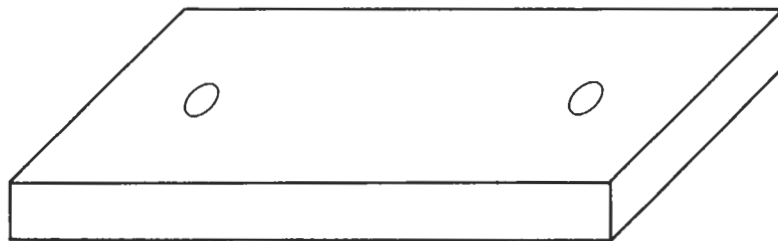
Grommeting M/C



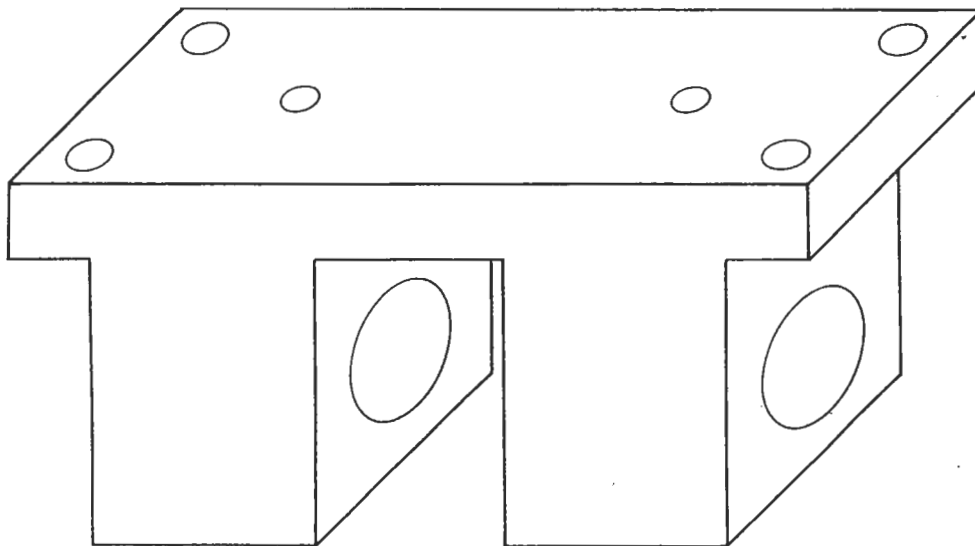
1-1



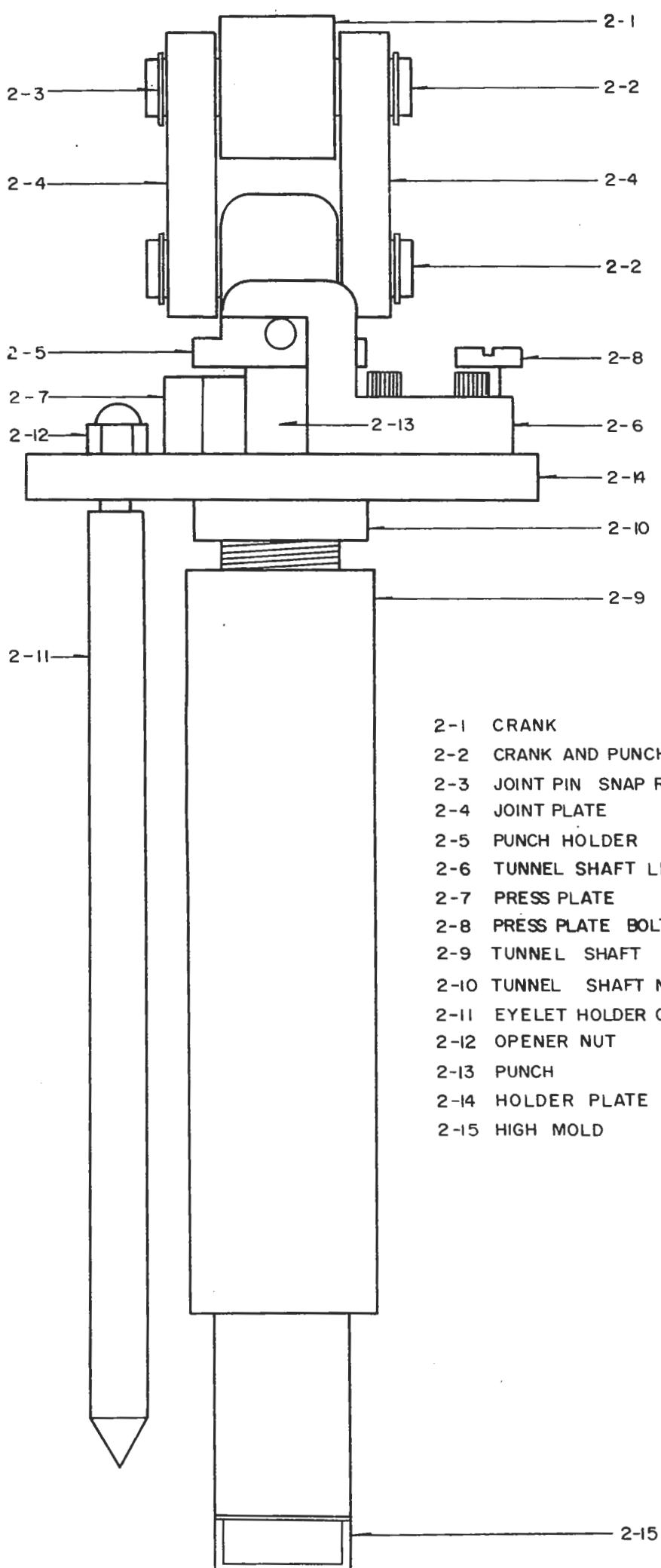
1-2



1-4



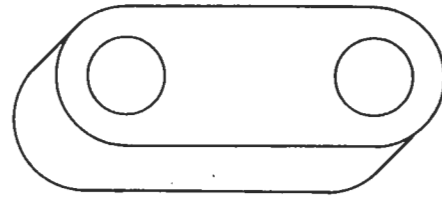
1-3



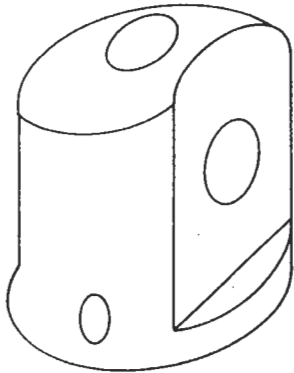
- 2-1 CRANK
- 2-2 CRANK AND PUNCH JOINT PIN
- 2-3 JOINT PIN SNAP RING
- 2-4 JOINT PLATE
- 2-5 PUNCH HOLDER
- 2-6 TUNNEL SHAFT LIFTER
- 2-7 PRESS PLATE
- 2-8 PRESS PLATE BOLT
- 2-9 TUNNEL SHAFT
- 2-10 TUNNEL SHAFT NUT
- 2-11 EYELET HOLDER OPENER
- 2-12 OPENER NUT
- 2-13 PUNCH
- 2-14 HOLDER PLATE
- 2-15 HIGH MOLD



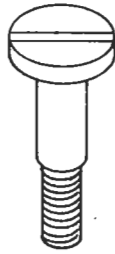
2-2



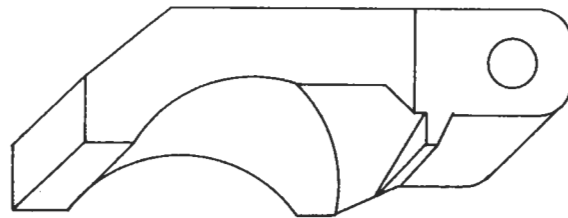
2-4



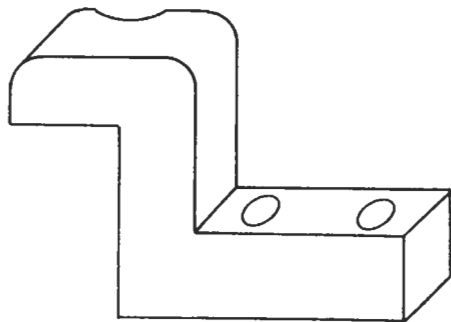
2-5



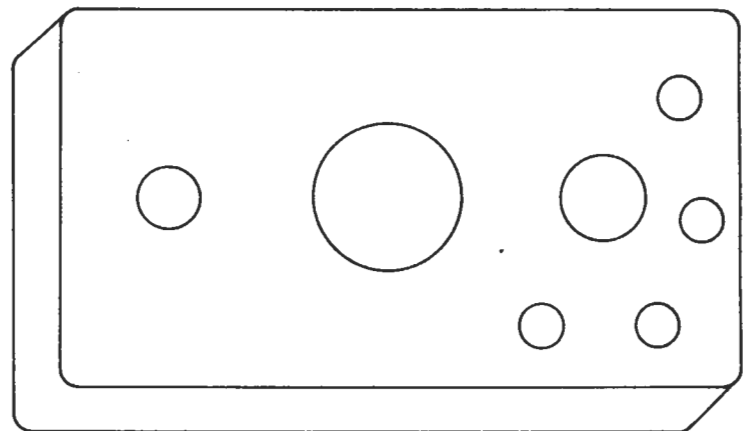
2-8



2-7



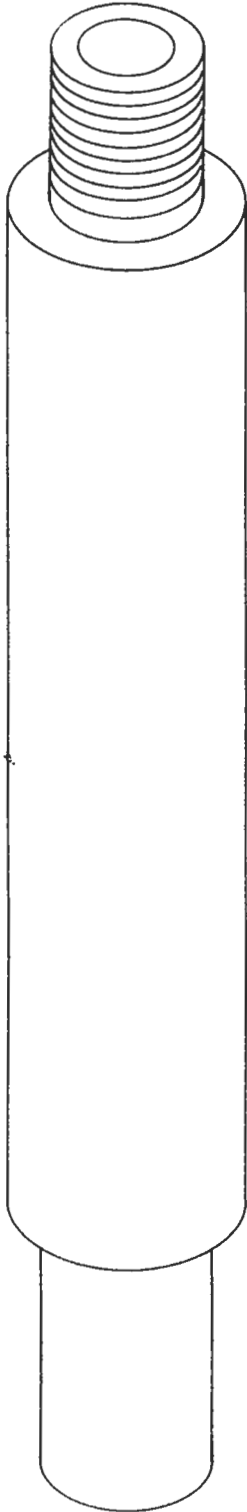
2-6



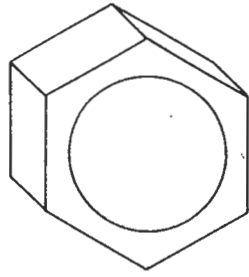
2-14



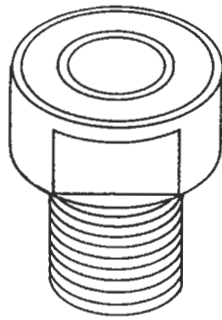
2-11



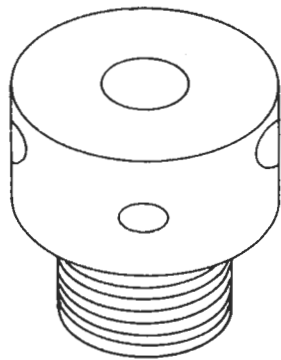
2-9



2-10



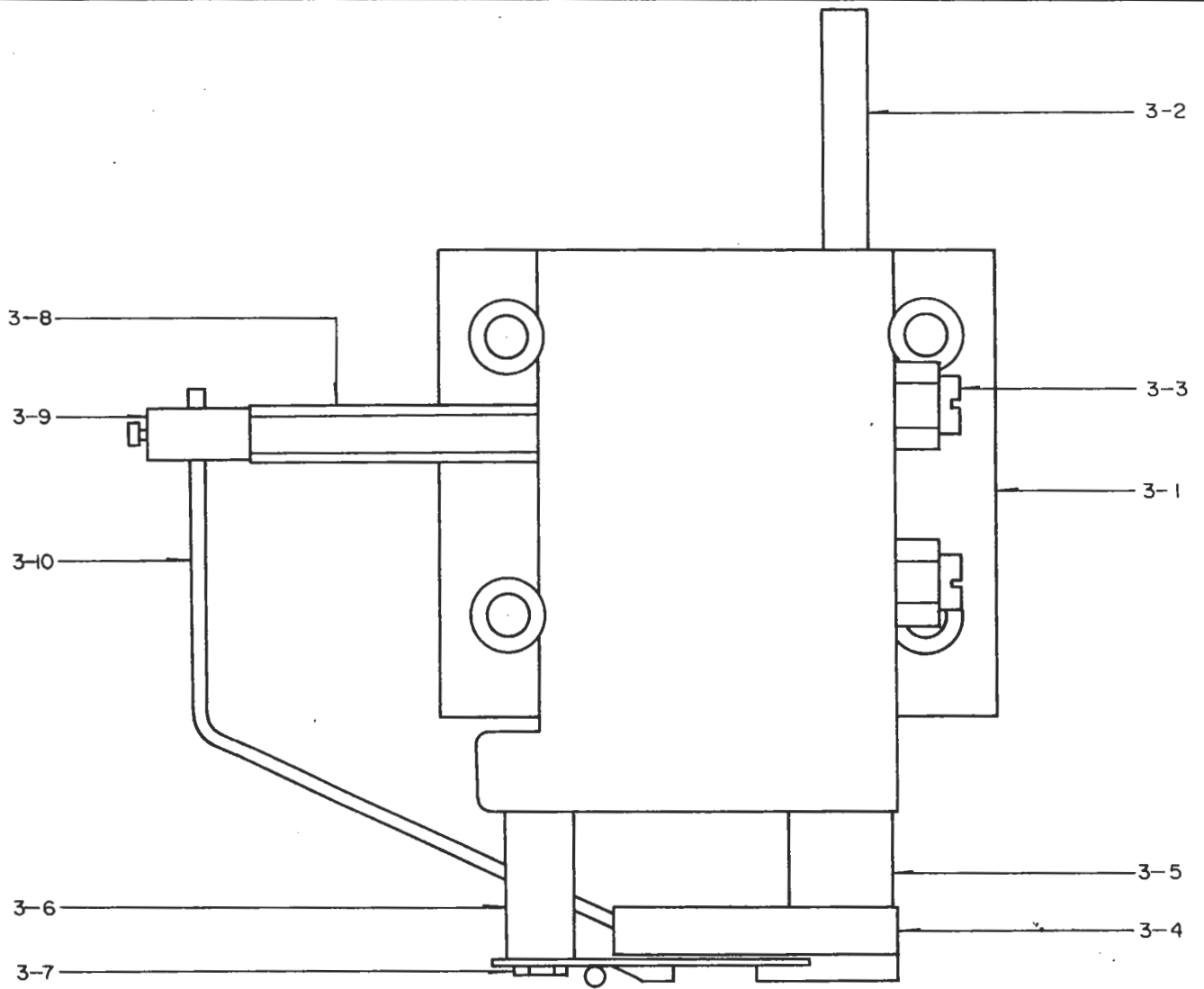
2-15



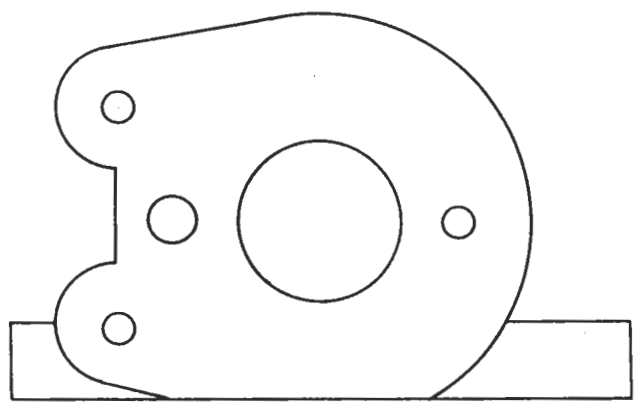
4-5



2-13

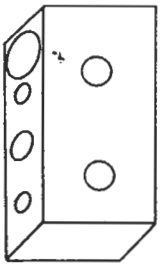


- 3-1 MAIN HEAD
- 3-2 PRESS PLATE OPENER
- 3-3 MAIN HEAD TENSIONER
- 3-4 EYELET GUID
- 3-5 GUID HOLDER
- 3-6 EYELET HOLDER
- 3-7 HOLDER SCREW
- 3-8 SIX ANGLE STUD
- 3-9 WIRE RAIL HOLDER
- 3-10 WIRE RAIL

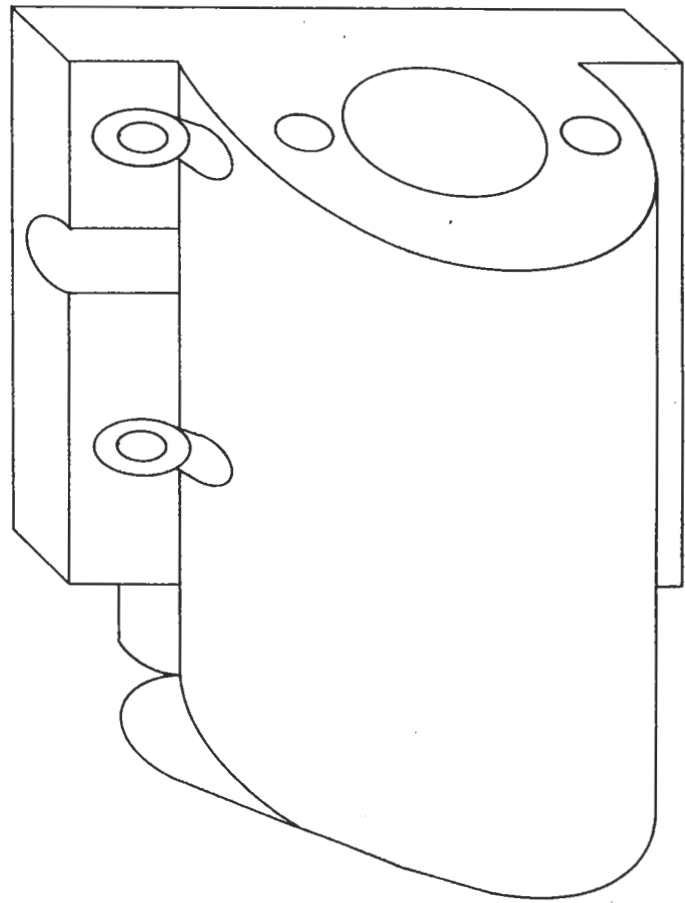




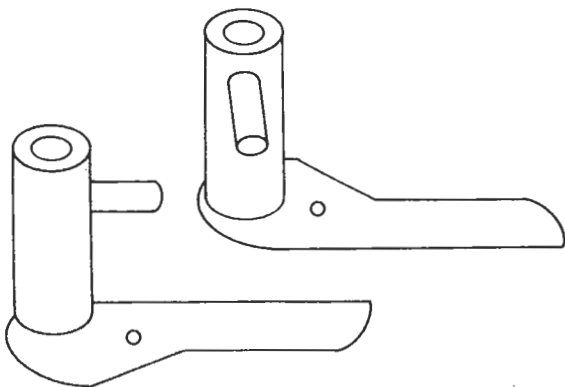
3-8



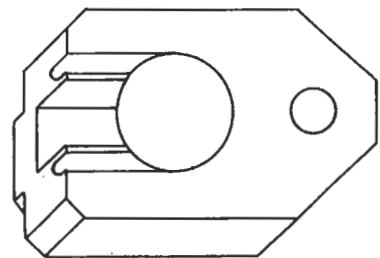
3-9



3-1

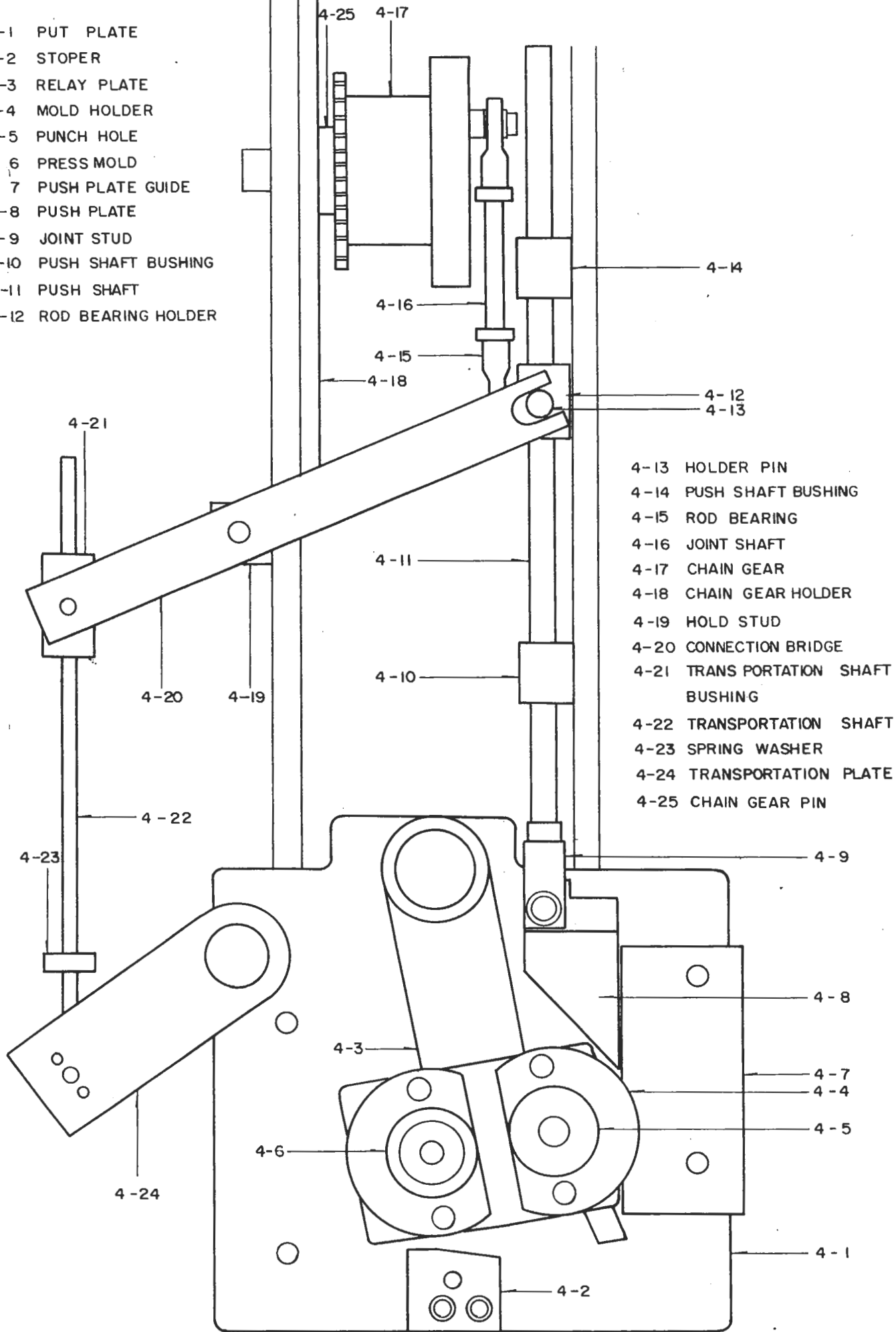


3-6

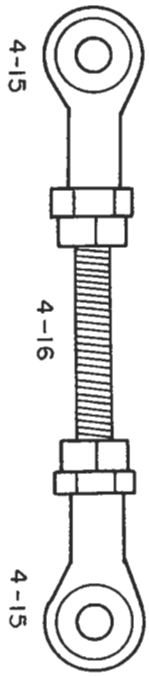
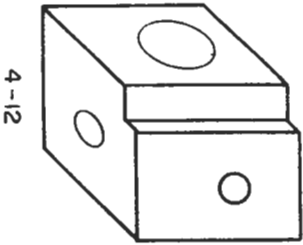
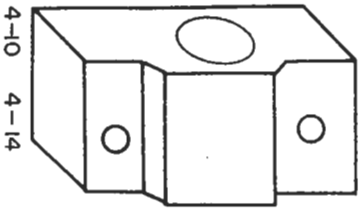
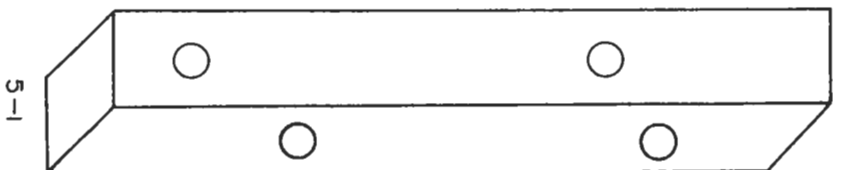
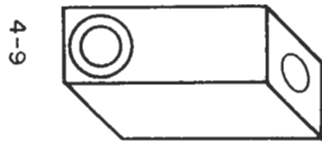
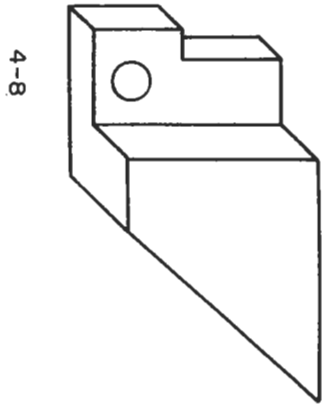
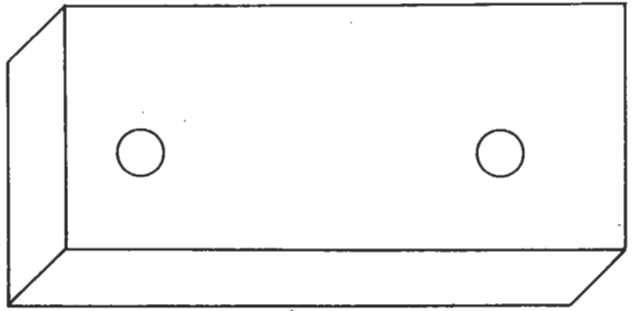


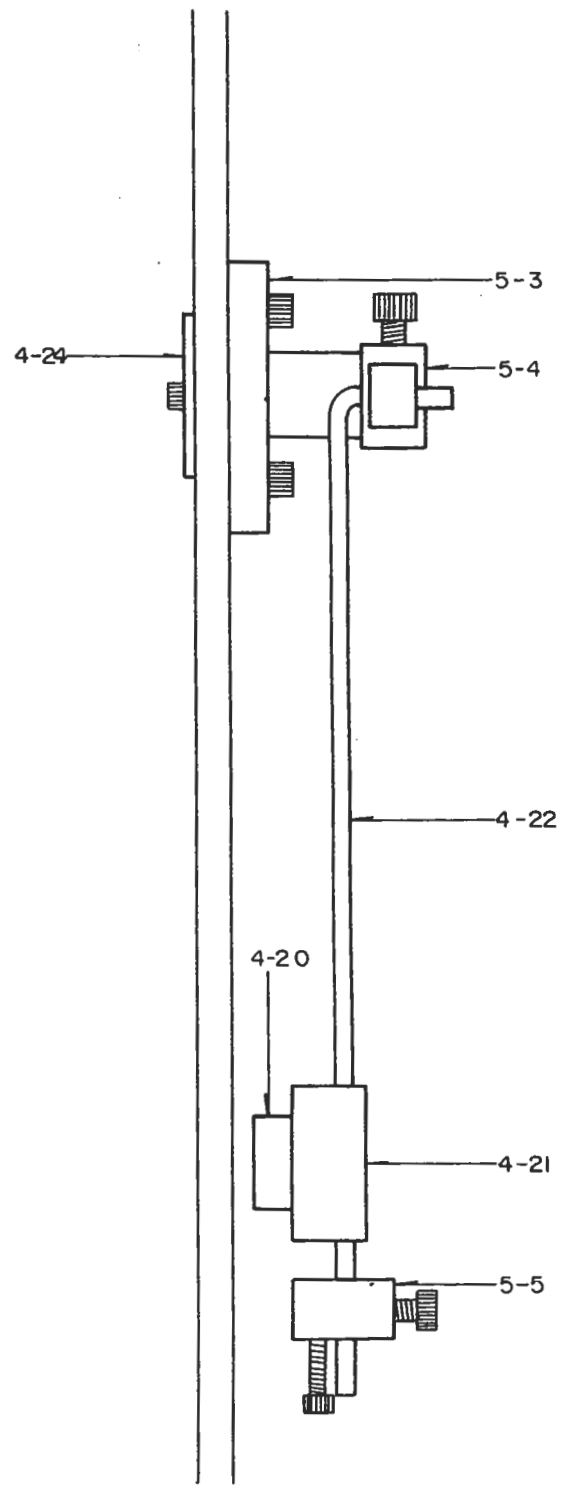
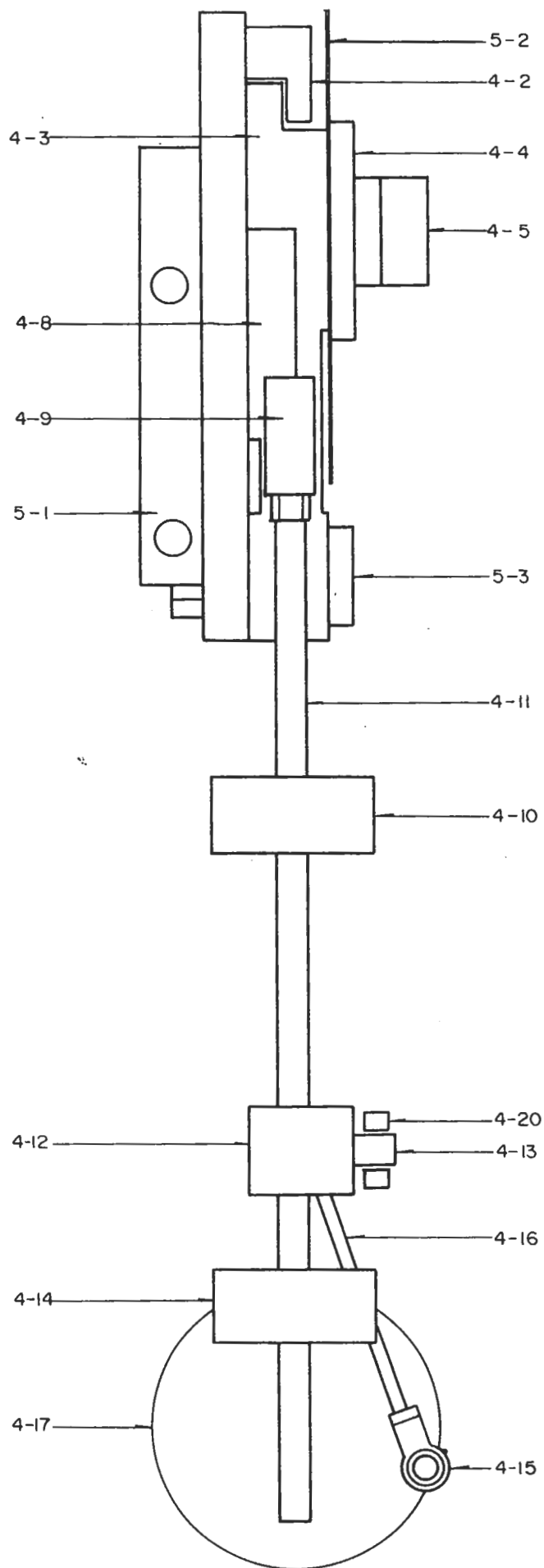
3-4

- 4-1 PUT PLATE
- 4-2 STOPER
- 4-3 RELAY PLATE
- 4-4 MOLD HOLDER
- 4-5 PUNCH HOLE
- 4-6 PRESS MOLD
- 4-7 PUSH PLATE GUIDE
- 4-8 PUSH PLATE
- 4-9 JOINT STUD
- 4-10 PUSH SHAFT BUSHING
- 4-11 PUSH SHAFT
- 4-12 ROD BEARING HOLDER

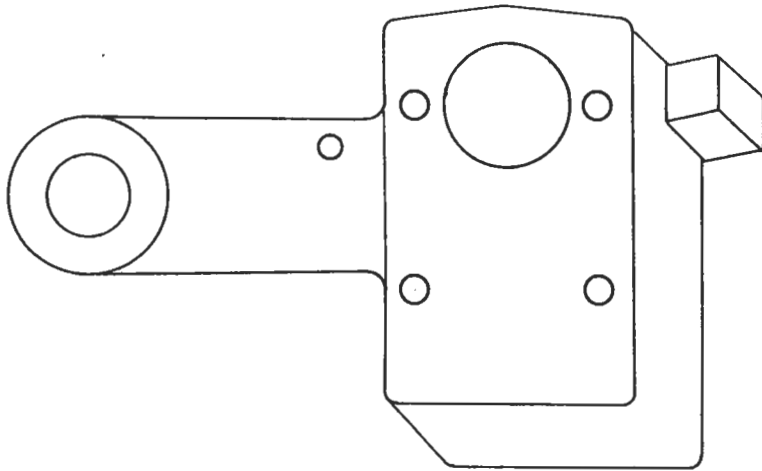


- 4-13 HOLDER PIN
- 4-14 PUSH SHAFT BUSHING
- 4-15 ROD BEARING
- 4-16 JOINT SHAFT
- 4-17 CHAIN GEAR
- 4-18 CHAIN GEAR HOLDER
- 4-19 HOLD STUD
- 4-20 CONNECTION BRIDGE
- 4-21 TRANSPORTATION SHAFT BUSHING
- 4-22 TRANSPORTATION SHAFT
- 4-23 SPRING WASHER
- 4-24 TRANSPORTATION PLATE
- 4-25 CHAIN GEAR PIN

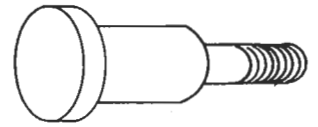




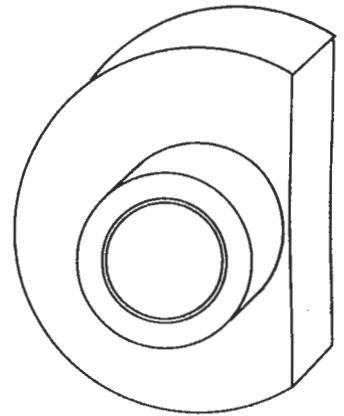
- 5-1 PUT PLATE HOLDER
- 5-2 COVER PLATE
- 5-3 TRANSPOTATION SHAFT BUSHING
- 5-4 TRANSPOTATION CONTROLLER
- 5-5 SPACE CONTROLLER



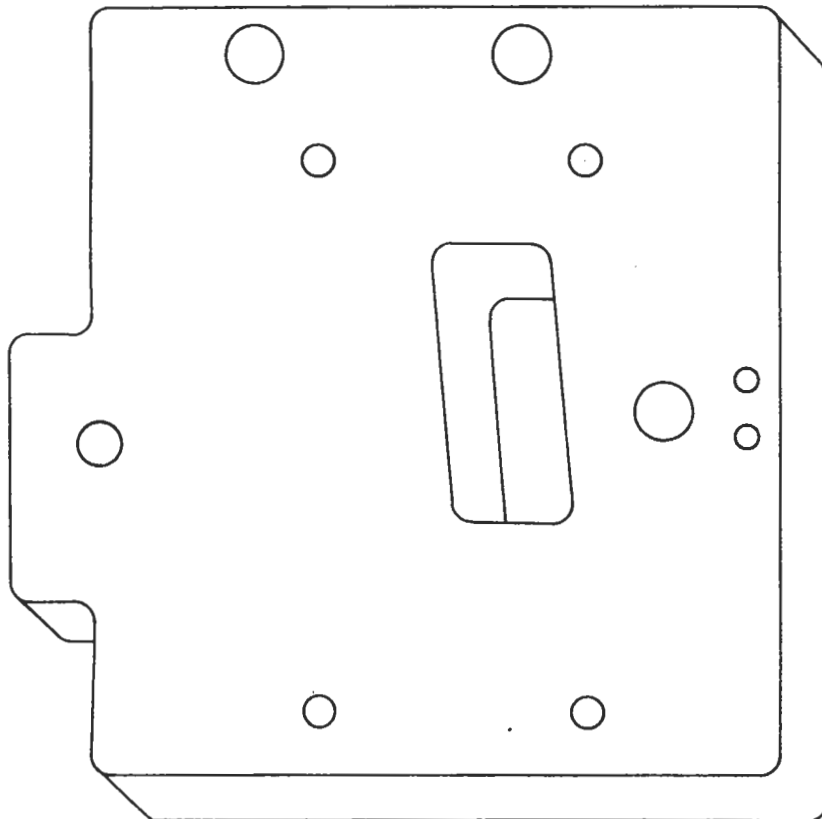
4-3



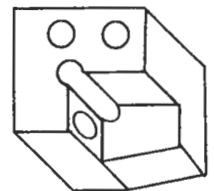
5-3



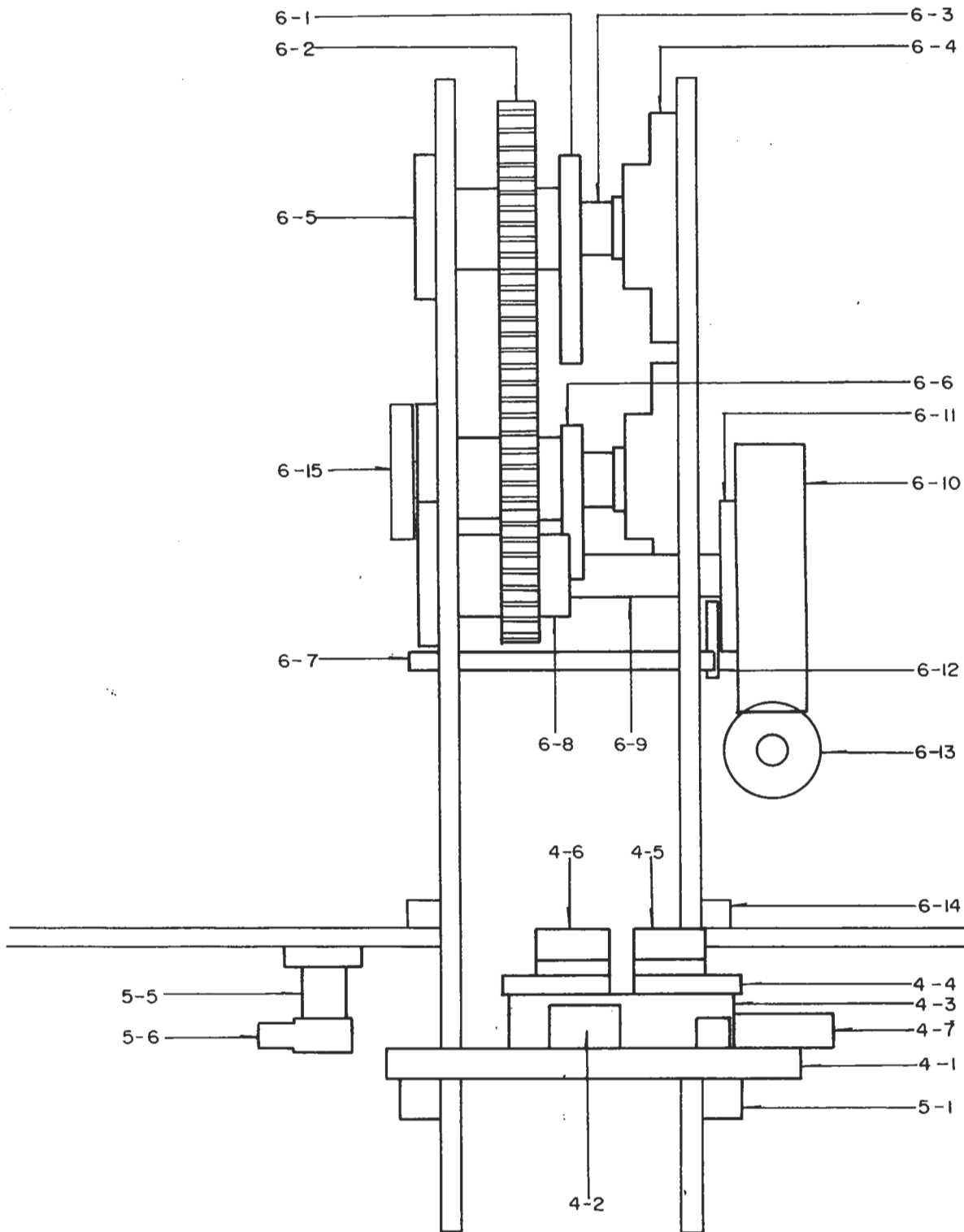
4-4



4-1

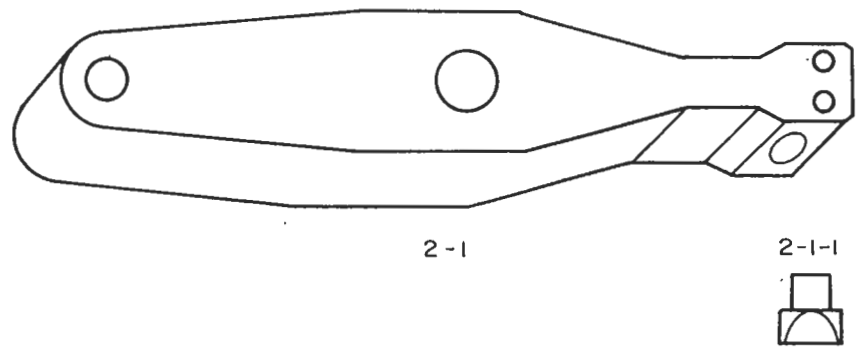
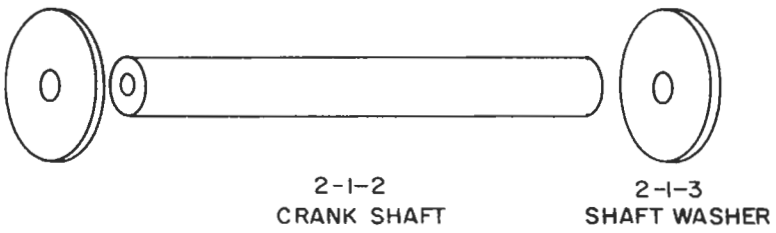
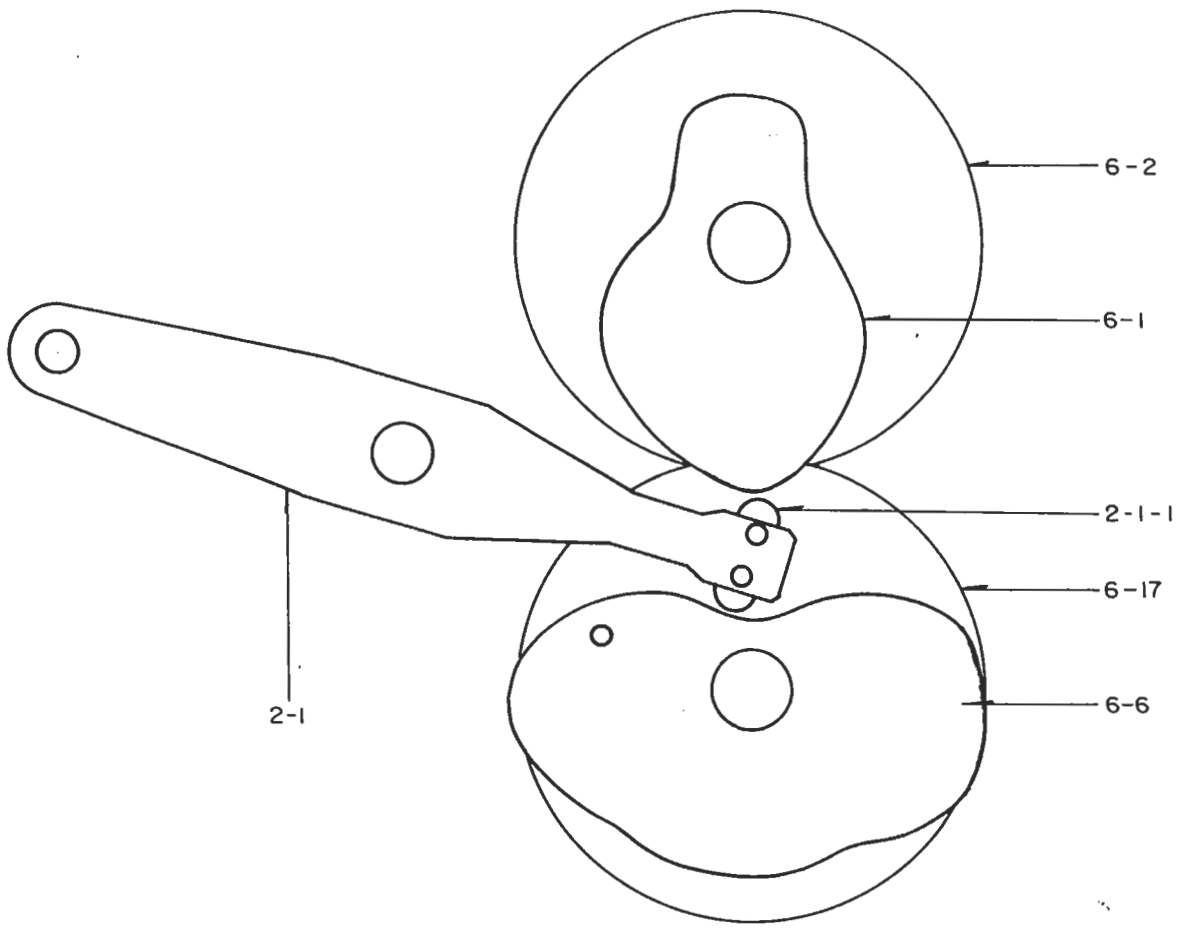


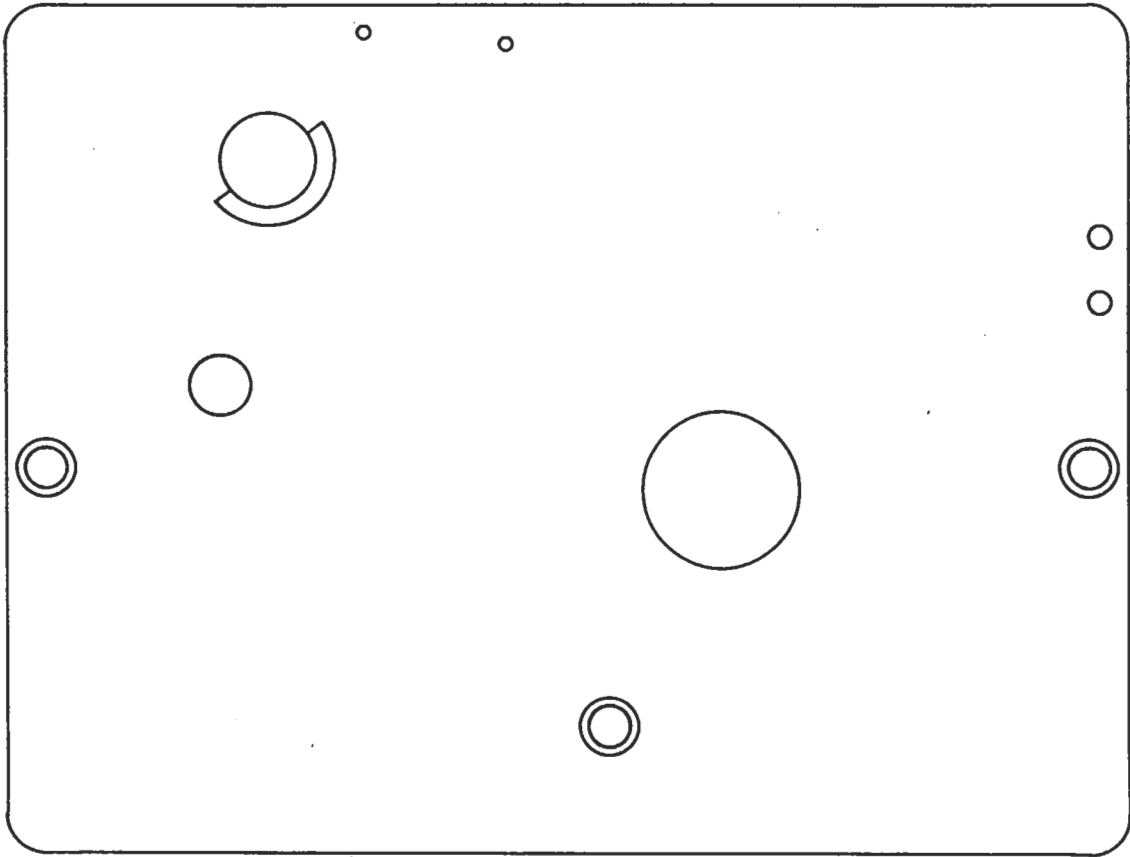
4-2



- 6-1 HIGH CAM
- 6-2 CAM GEAR
- 6-3 CAM SHAFT
- 6-4 CAM SHAFT BEARING
- 6-5 CAM SHAFT BUSHING
- 6-6 LOW CAM
- 6-7 KEY STOPER
- 6-8 STRAIGHT GEAR

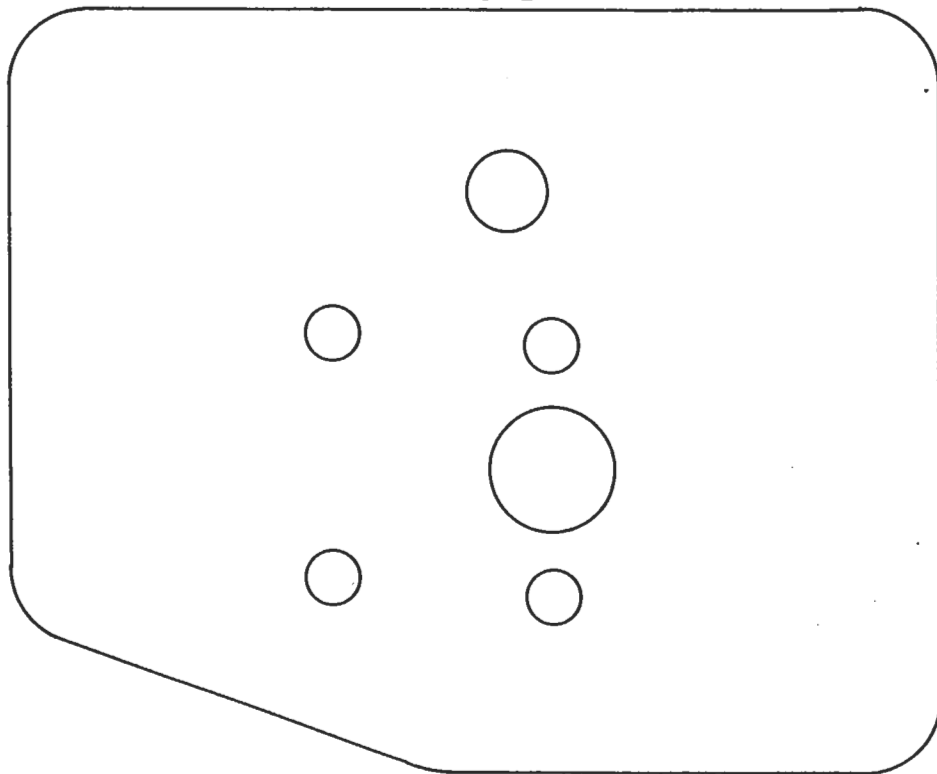
- 6-9 WARM GEAR SHAFT
- 6-10 WORM GEAR
- 6-11 CLUTCH ROOM
- 6-12 CLUTCH KEY
- 6-13 WORM SCREW
- 6-14 HEAD PROP
- 6-15 EYELET CONTROLLER

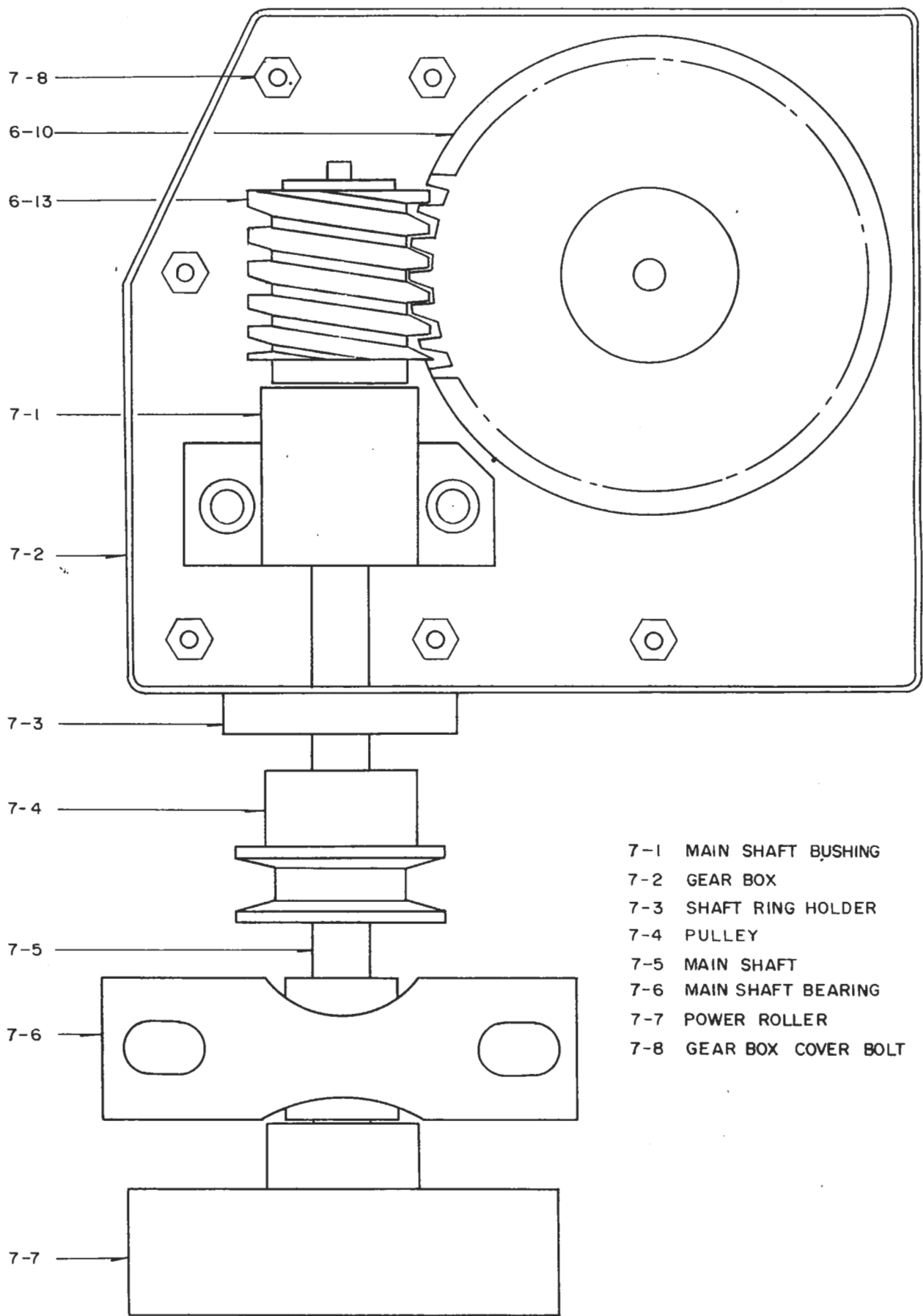




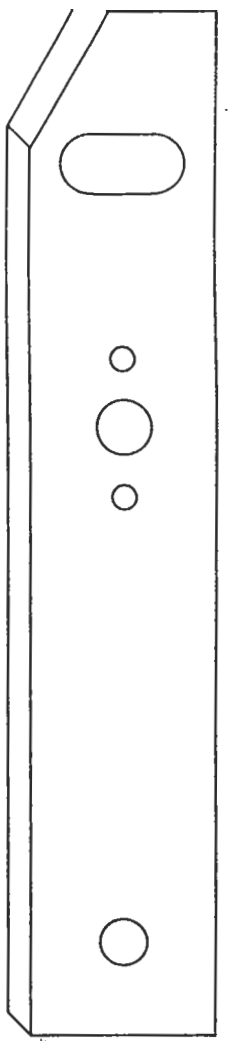
MAIN PLATE

5 - 2

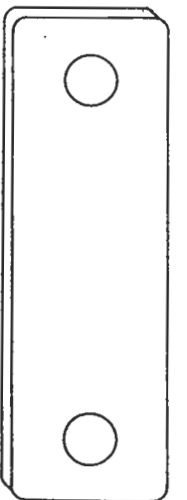




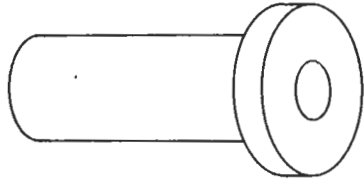
- 7-1 MAIN SHAFT BUSHING
- 7-2 GEAR BOX
- 7-3 SHAFT RING HOLDER
- 7-4 PULLEY
- 7-5 MAIN SHAFT
- 7-6 MAIN SHAFT BEARING
- 7-7 POWER ROLLER
- 7-8 GEAR BOX COVER BOLT



4-18



MAIN SHAFT BEARING PROP



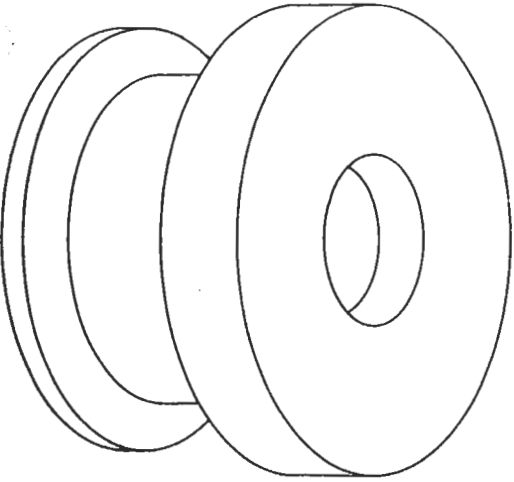
4-25



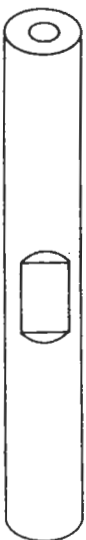
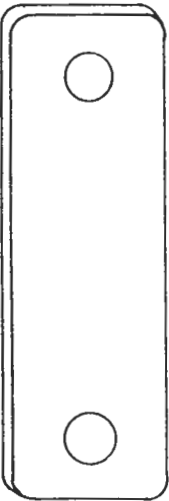
6-9



7-5



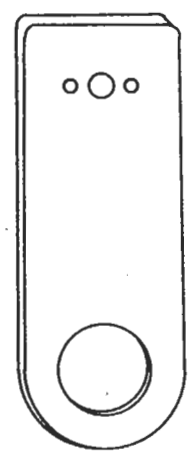
4-17



6-3



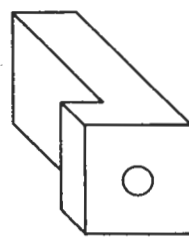
6-14



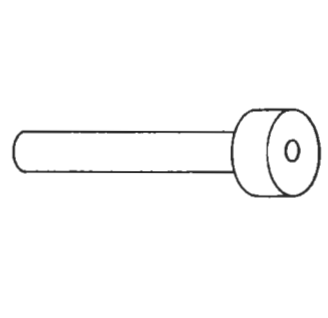
4-24



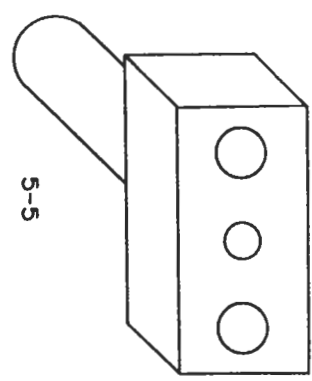
4-20



4-19



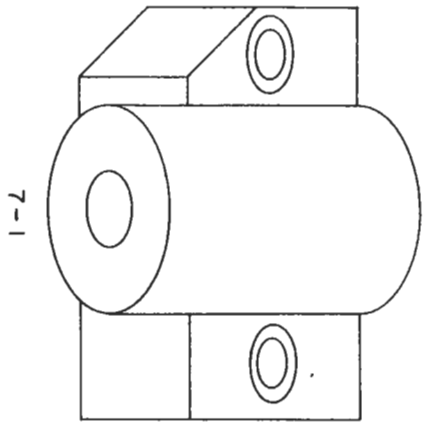
TRANSPORTATION STUD



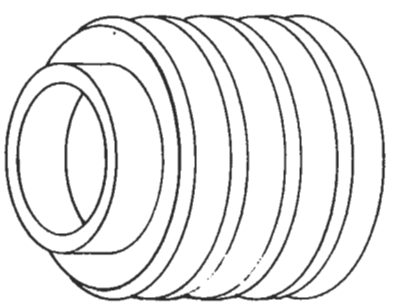
5-5



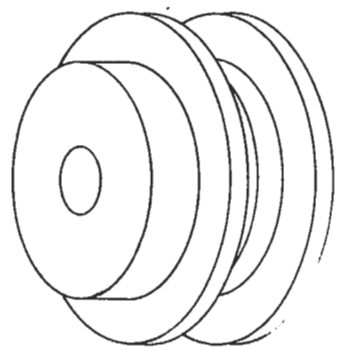
BOX COVER HOLDER



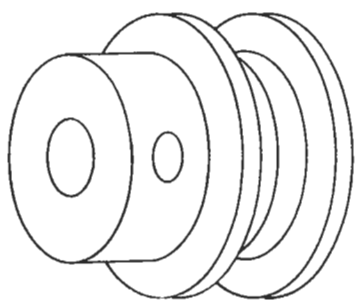
7-1



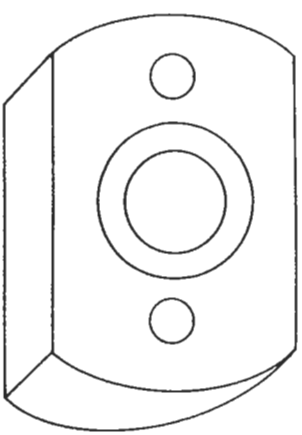
6-13



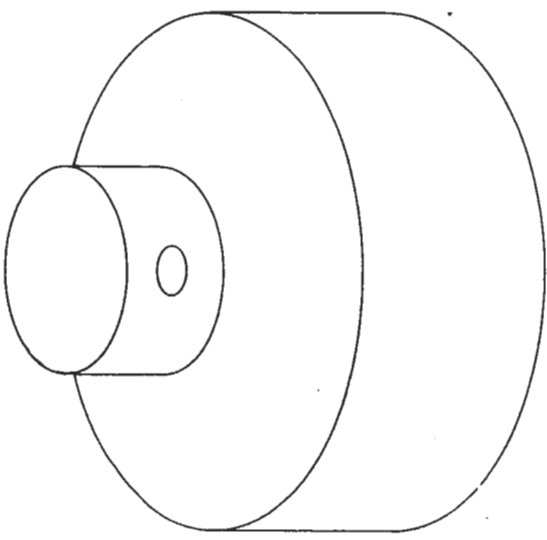
7-4-1
MOTOR PULLEY



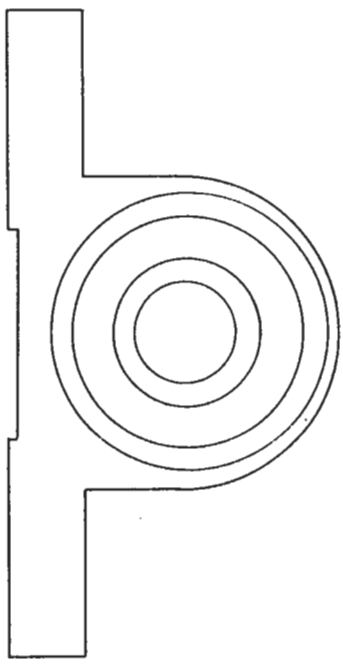
7-4



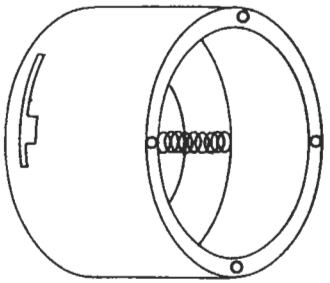
7-3



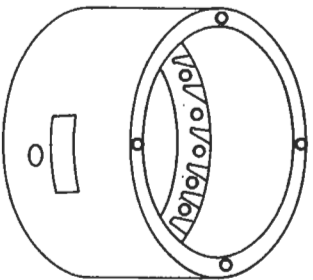
7-7



7-6



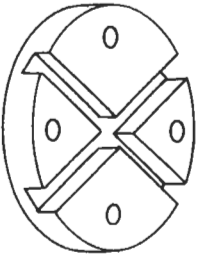
EYELET BOX
0-1



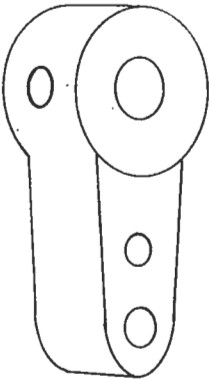
WASHER BOX
0-2



EYELET RAIL SPRING
0-1-3



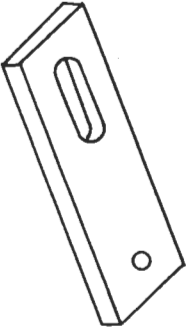
EYELET BOX SPRING HOLDER
0-1-1



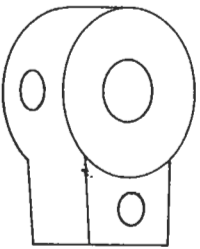
SOLENOID LIFTER
0-3



WASHER RAIL SPRING
0-2-3



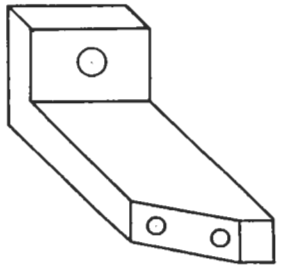
EYELET RAIL JOINTER
0-1-2



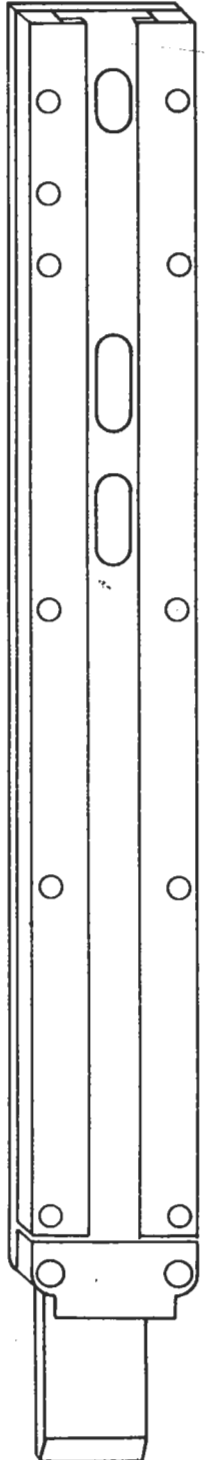
5-6



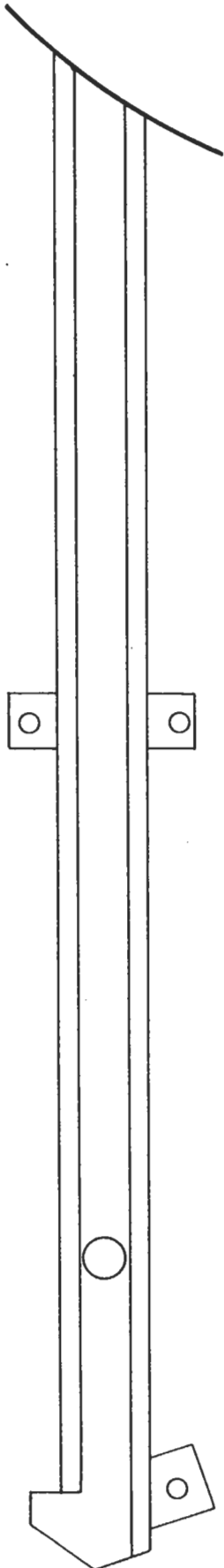
PRESS PLATE SPRING
0-4



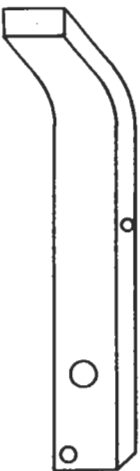
WASHER RAIL PROP
0-2-5



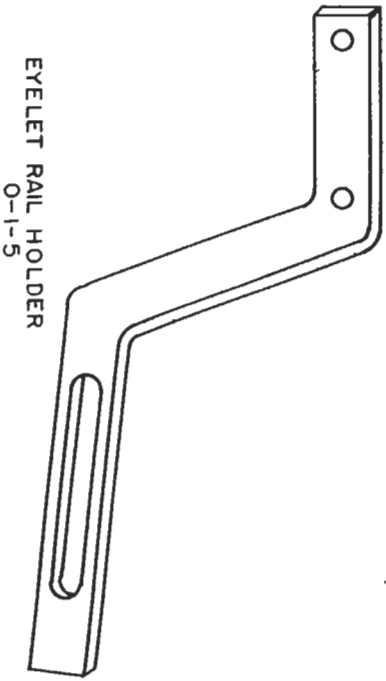
WASHER RAIL
0-2-6



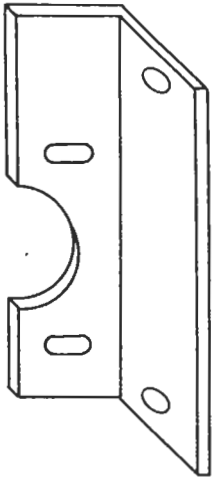
EYELET RAIL
0-1-4



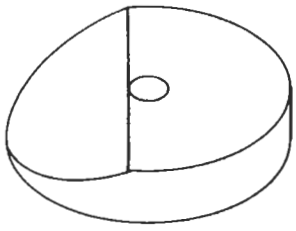
EYELET SUPPLY STUD
0-1-6



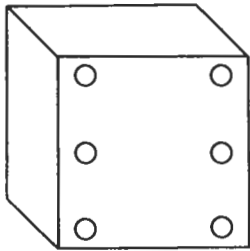
EYELET RAIL HOLDER
0-1-5



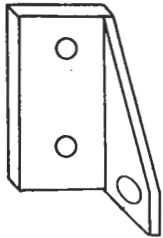
GEAR MOTOR HOLDER
0-5



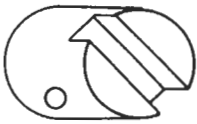
6-15



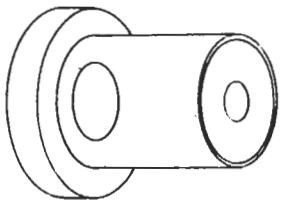
SOLENOID HOLDER
0-8



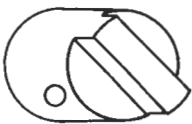
MICRO SWITCH HOLDER
0-6



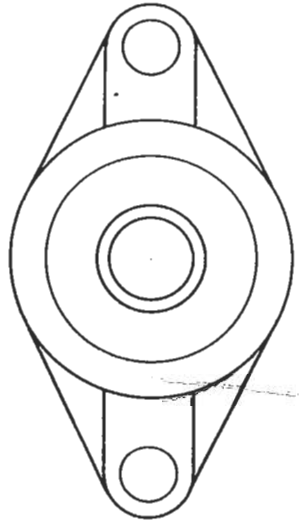
BOX JOINT
0-9



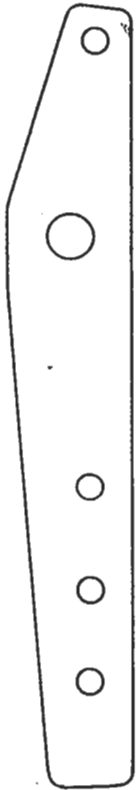
BOX & SHAFT JOINTER
0-7



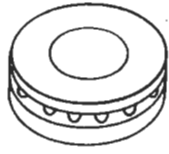
MOTOR JOINT
0-9-1



6-4

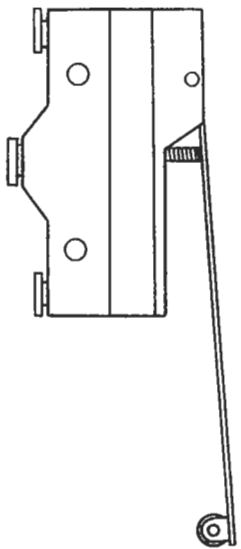


WASHER SUPPLY CONTROLLER
0-2-4

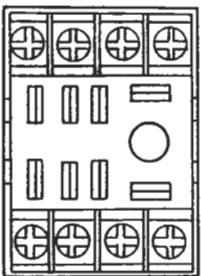


MAIN SHAFT THREST BEARING

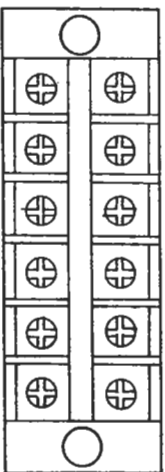
6-13-1



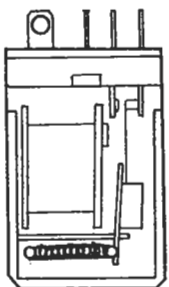
MICRO SWITCH
0-6-1



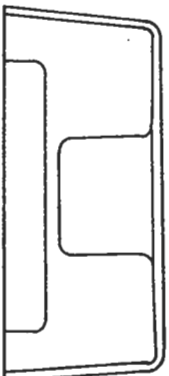
RELAY SOCKET
0-10-1



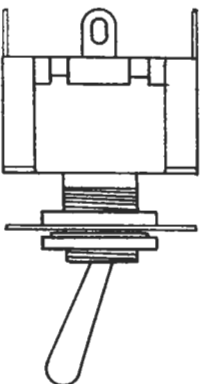
TERMINAL (6P)
0-10-2



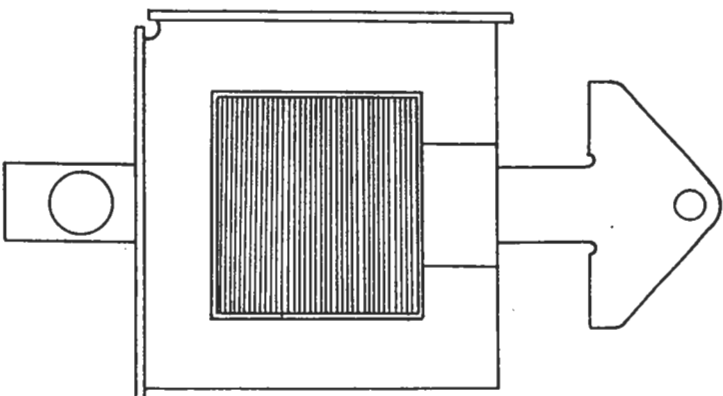
RELAY
0-10



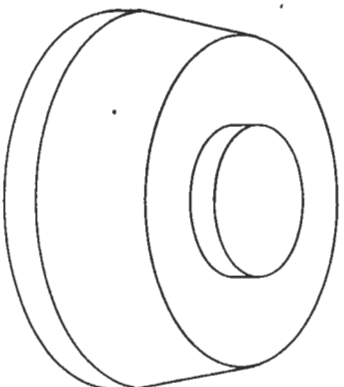
FUSES BOX
0-10-3



TOGGLE SWITCH
0-10-4

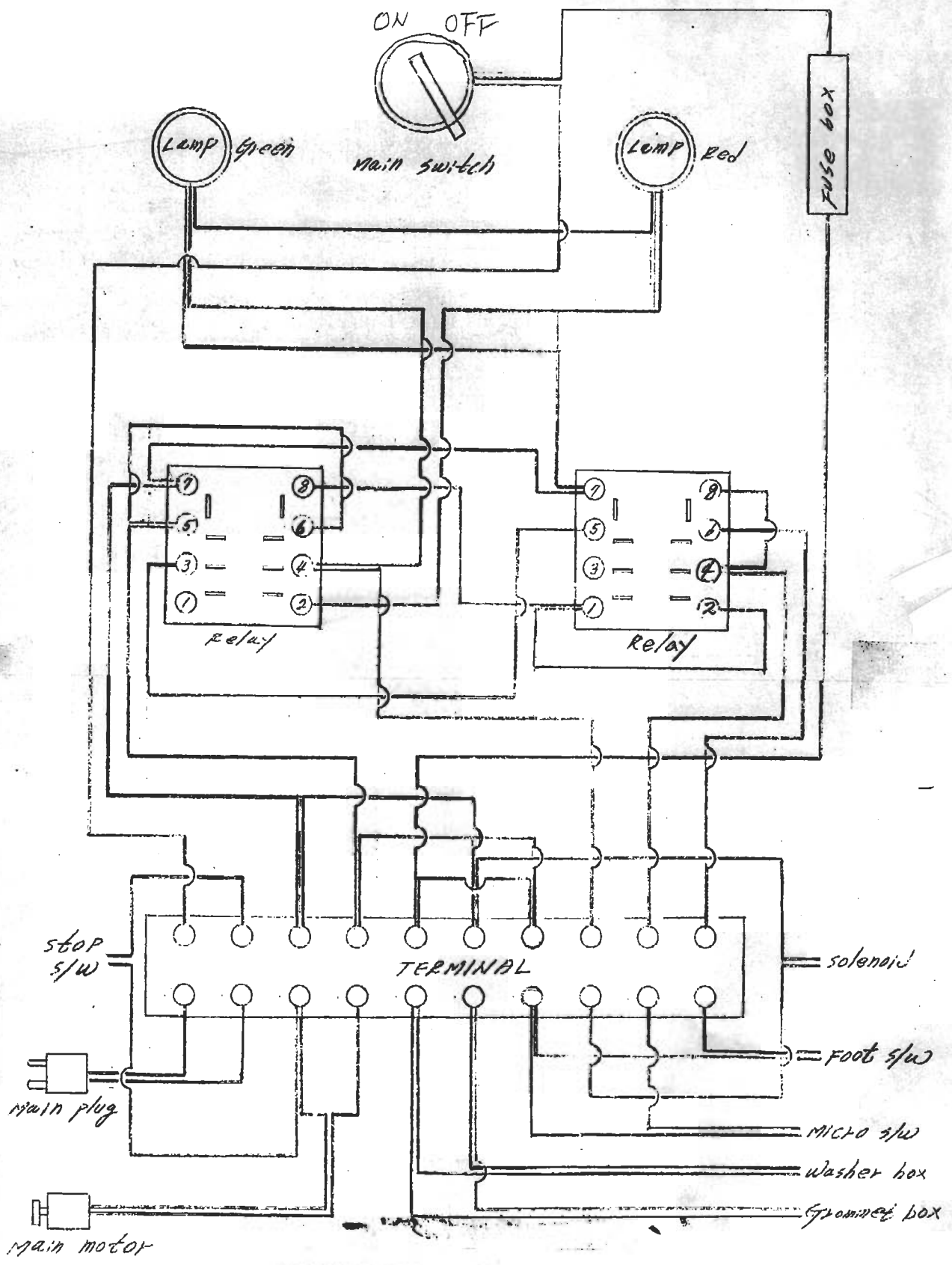


SOLENOID
0-8-1



0-11 BELL SWITCH

H-2000S CONTROL BOX WIRING DWG (



HIKER Enterprises Ltd.
 3375 14th Ave., Unit #3
 Markham, Ont., Canada L3R 0H2
 T: (905) 479-5390 F: (905) 479-0530

Aug. 20/09